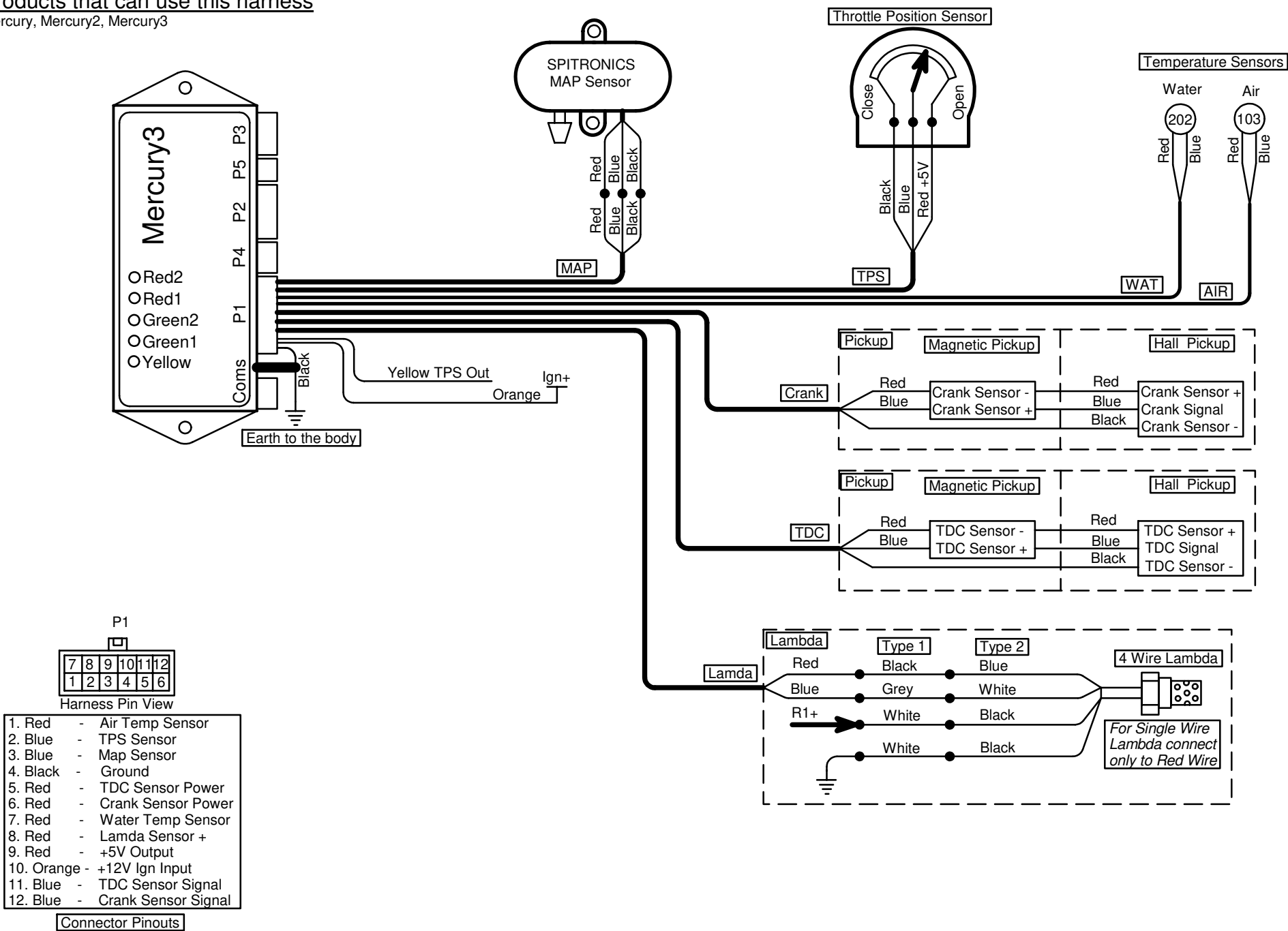


M09 P1 Crank Cam Separate Input Harness Wiring

Last Changed: 17/04/2024

Products that can use this harness

Mercury, Mercury2, Mercury3



M09 P1 Crank Cam Separate Input Harness Design

Last Changed: 17/04/2024

Products that can use this harness

Mercury, Mercury2, Mercury3

See Layout for PVC Sleeve information and other wiring to complete Harness

